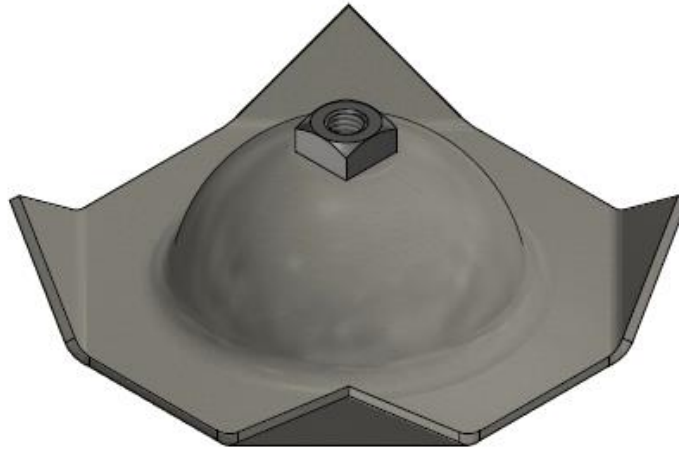


COMMERCIAL DOCUMENTATION



COLUMN CENTRALIZER | **COLUMN CONNECTOR**



GENERAL PRESENTATION

The Terwa centralizing fixing connector is an optimum solution for fastening concrete columns, facilitating the installation on site, saving time and ensuring a correct position of the concrete columns in foundation.

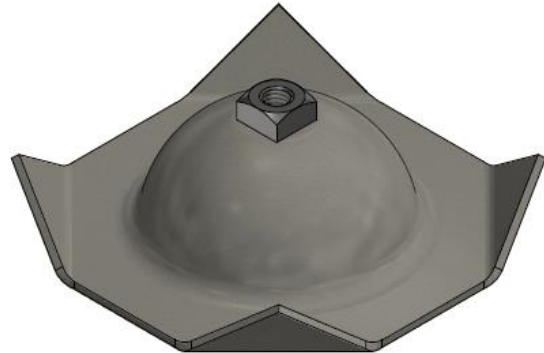
The system consists of two spherical connectors made from sheet steel, with a radius of 30.5 mm.

The two connectors are embedded in the column and in the foundation block, ensuring a joint between the two elements. For this reason, we recommend ordering these connectors in pairs.

The connectors have four bent corners that are specially designed for good embedment in concrete and can be seen in the picture below. The design ensures a good position in the concrete element and an easy installation.



Foundation connector



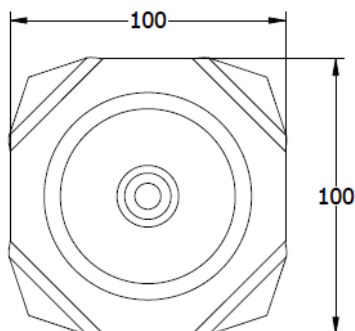
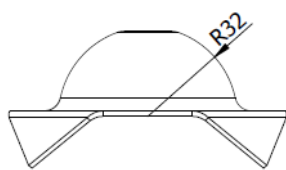
Column connector

THE MAIN ADVANTAGES OF THIS SYSTEM

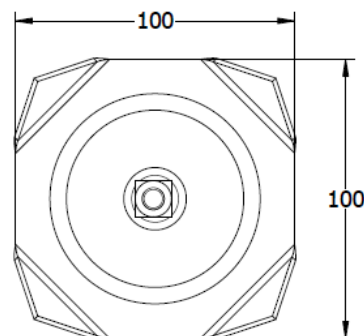
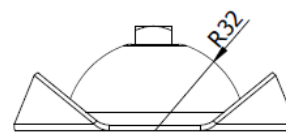
- These products are simple solutions for the installation of precast concrete columns on site.
- They are cheap and easy to use
- Easily fixed to the formwork – a threaded bar and two wing nuts.
- The design of connectors prevents changing shape during use

PRODUCTION PROCESS

The fixing and centralizing connectors are made of sheet metal by cutting and cold pressing operations. The column connector has a square nut, welded, necessary for fixing it to the formwork and for easy centring with the pair connector.



**Article number 46164
 Foundation connector**



**Article number 46165
 Column connector**

CONTACT



TERWA is the global supplier for precast and construction solutions with multiple offices around the world. With all our staff, partners and agents, we are happy to provide all construction and precast companies who work in the building industry with full service and 100% support.

TERWA CONSTRUCTION GROUP

Terwa Construction Netherlands (HQ)

Global Sales & Distribution
Kamerlingh Onneslaan 1-3
3401 MZ IJsselstein
The Netherlands
T +31-(0)30 699 13 29
F +31-(0)30 220 10 77
E info@terwa.com

Terwa Construction Central East Europe

Sales & Distribution
Strada Sânzieni
507075 Ghimbav
Romania
T +40 372 611 576
E info@terwa.com

Terwa Construction Poland

Sales & Distribution
Ul. Cicha 5 lok. 4
00-353 Warszawa
Poland
E info@terwa.com

Terwa Construction India & Middle East

Sales & Distribution
India
T +91 89 687 000 41
E info@terwa.com

Terwa Construction China

Sales & distribution
5F 504, No. 101 Chuanchang road
PRC, 200032, Shanghai
China
E info@terwa.com

ALL SPECIFICATIONS CAN BE CHANGED WITHOUT PRIOR NOTICE.

DISCLAIMER

Terwa B.V. is not liable for deviations due to wear of the products it has delivered. Neither is Terwa B.V. liable for damage due to inaccurate and/or improper handling and use of the products it has delivered and/or use of same for purposes other than those intended.

Terwa B.V.'s responsibility is furthermore limited in accordance with article 13 of the "Metaalunie" conditions, which are applicable for all Terwa B.V. deliveries. The user is responsible for ensuring compliance with all applicable copyright laws.

Without limiting the rights under copyright, no part of this documentation may be reproduced, stored in or introduced into a retrieval system, or transmitted in any form or by any means (electronic, mechanical, photocopying, recording, or otherwise), or for any purpose, without the express written permission of Terwa B.V.